



First choice when
quality counts.™

Standard® 2:1 & Foam-Cat® 2:1 Drum Pumps

- **Air-powered for high reliability and low cost**
- **Typical fluid delivery up to 2.5 gpm (9.46 lpm); fluid pressure up to 360 psi (2.4 MPa, 24 bar)**
- **Divorced-style drum for leak-free operation**
- **Available in carbon steel or stainless steel construction**
- **Mountings available for 2 inch (50.8 mm) bung, drum clamps or 55 gallon (200 liter) drum cover**

**Delivers fluid at
medium pressure
with toughness
and reliability**

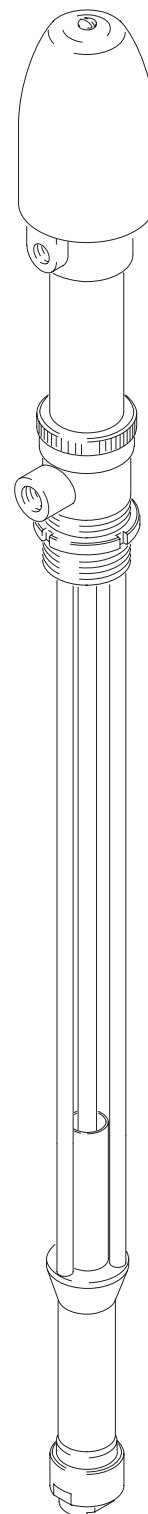
Graco's 2:1 pumps are ideally suited to a wide range of medium pressure fluid transfer and supply applications. These pumps use Graco's proven differential air motor design providing long trouble-free air motor life. The Graco 1.4 inch (35.5 mm) diameter air motor connects to either a carbon steel or stainless steel fluid pump. Mounting options include 2 inch bung adapter, Graco's drum clamp, and a 55 gallon (200 liter) drum cover.

Typical Fluids Handled

- Solvents
- Adhesives
- Resins
- Catalysts
- Chemicals

Typical Applications

- Foam chemical supply
- Spray gun supply
- Dispensing valve supply
- Cleaning chemical supply
- Fluid transfer



Standard 2:1
208-177

COMPONENTS

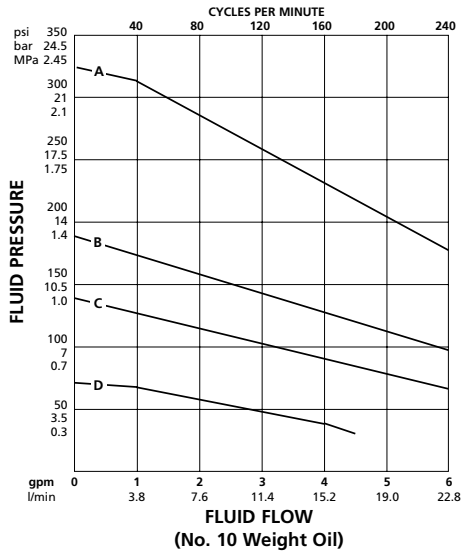
Technical Specifications Standard 2:1

Maximum continuous flow 2.5 gpm (9.5 lpm)
 Air input pressure range . . . 30-180 psi (0.4-1.2 MPa, 4-12 bar)
 Pump cycles per gallon (3.8 liter) 50
 Maximum fluid pressure 360 psi (2.4 MPa, 24 bar)
 Air inlet size 1/4 npt(f)
 Fluid outlet size 1/2 npt(f)
 Weight 11.5 lbs. (5.2 kg)
 Instruction manual 307-026

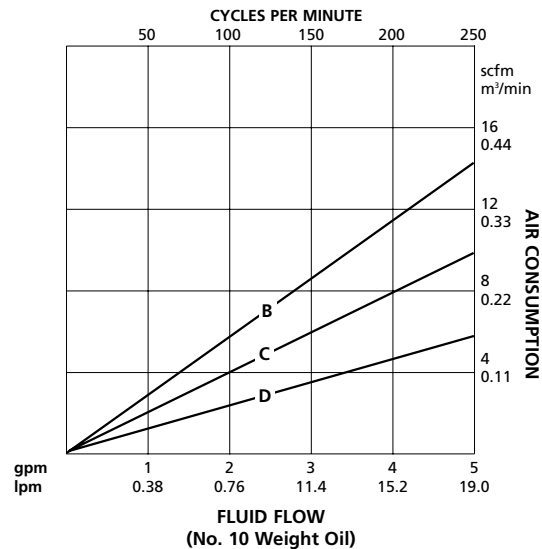
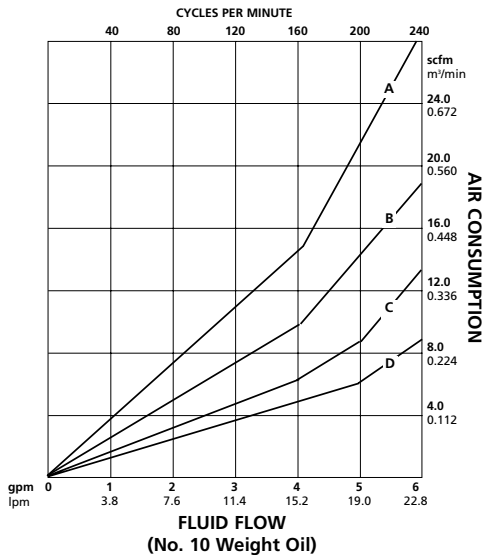
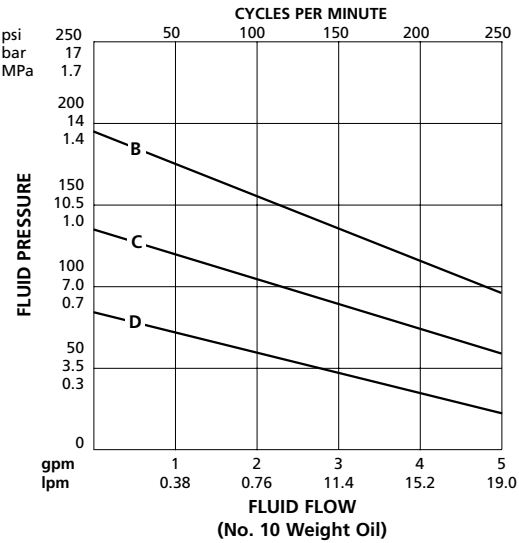
Technical Specifications Foam-Cat 2:1

Maximum continuous flow 2 gpm (7.6 lpm)
 Air input pressure range . . . 30-120 psi (0.2-0.84 MPa, 2-8.4 bar)
 Pump cycles per gallon (3.8 liter) 50
 Maximum fluid pressure 240 psi (1.68 MPa, 16.8 bar)
 Air inlet size 1/4 in. npt(f)
 Fluid outlet size 1/2 in. npt(f)
 Weight 23 lbs. (10.4 kg)
 Instruction manual 307-679

Performance Charts Standard 2:1



Performance Charts Foam-Cat 2:1



Air Pressures:

A = 180 psi (1.2 MPa, 12 bar) C = 70 psi (0.49 MPa, 4.9 bar)
 B = 100 psi (0.7 MPa, 7 bar) D = 40 psi (0.3 MPa, 3 bar)

Ordering Information for Standard 2:1 and Foam-Cat 2:1

Order number includes motor and pump lower assembly

Order Nos.	Standard 2:1 Drum		Foam-Cat 2:1 Drum	
	226-040	208-177	218-555	218-556
Pump Lower				
Part No.	204-724	208-197	218-553	218-554
Construction	SST	CS	CS	SST
Standard Seal Repair Kits				
Part No.	224-005	208-178	223-650	223-650
Construction	Teflon®/PEEK	Teflon/PEEK	Teflon/UHMWPE	Teflon/UHMWPE
Optional Seal Repair Kits				
Part No.	224-017	224-017	N/A	N/A
Construction	UHMWPE	UHMWPE		
Motor				
Air Valve Assembly: 220-168				

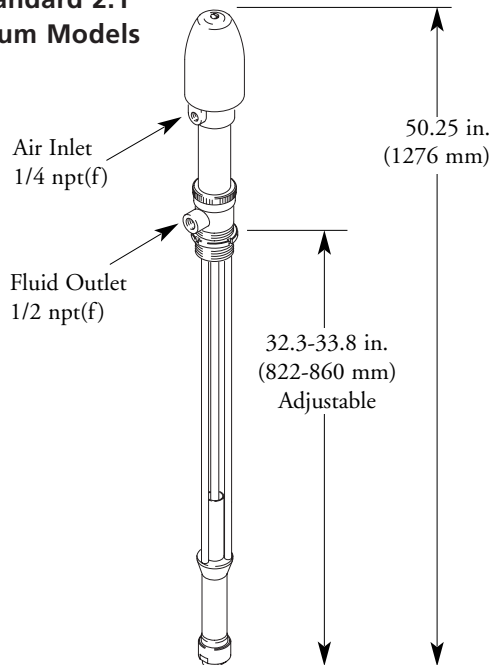
SERVICE PARTS INFORMATION

Pump Lower Part Nos.	204-724	208-197	218-553	218-554
Displacement Rod				
Upper	204-885	208-198	180-433	180-433
Lower	162-239	169-294	180-422	180-413
Construction	SST	CS	CS	SST
Cylinder				
Part No.	204-725	208-199	180-417	180-417
Construction	SST	CS	SST	SST
Intake Valve, order separate part numbers:				
Intake ball	101-917	100-279	101-917	101-917
Seat	164-251	208-202	179-941	179-941
Piston Valve, order separate part numbers:				
Piston Ball	101-750	100-084	100-084	101-750
Seat	161-795	208-201	186-399	186-399
Ball Guide	161-791	169-293	169-293	161-791

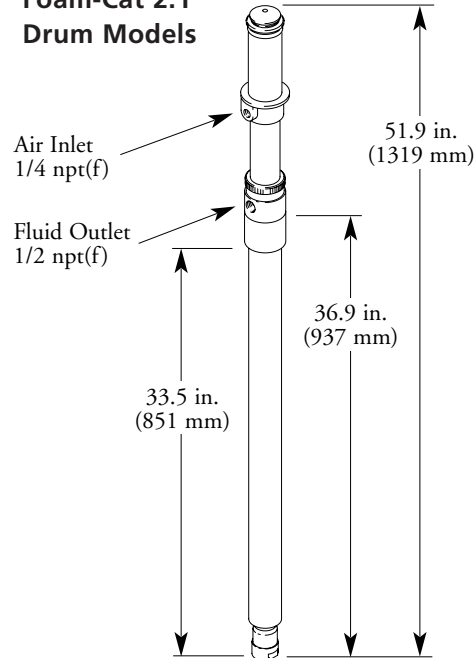
Teflon® is a registered trademark of Du Pont.

Dimensions

Standard 2:1 Drum Models



Foam-Cat 2:1 Drum Models



COMPONENTS

Accessories

237-569 Grounding Clamp and Wire

25 ft. (7.6 m) long, 12 gauge (1.5 mm²)

107-142 Bleed-Type Master Air Valve

Max. working pressure: 300 psi (2.1 MPa, 21 bar)

Inlet: 1/2 npt(m), outlet: 1/2 npt(f).

106-149 Air Line Filter

Max. working pressure: 250 psi (1.7 MPa, 17 bar)

Inlet and outlet: 1/2 npt(f)

202-156 Air Regulator and Gauge

Max. working pressure: 300 psi (2.0 MPa, 20 bar)

Inlet and outlet: 3/8 npt(f)

214-848 Air Line Lubricator

Max. working pressure: 250 psi (1.7 MPa, 17 bar)

Bowl capacity: 8 oz. (0.24 liter)

Inlet and outlet: 1/2 npt(f)

Fluid Drain Valve

Maximum working pressure: 500 psi (3.5 MPa, 35 bar)

208-630 Inlet: 1/2 npt(m), outlet: 3/8 npt(f)

Non-corrosive fluids: carbon steel & Teflon

237-534 Inlet: 3/8 npt(m), outlet: 3/8 npt(f)

Corrosive fluids: stainless steel & Teflon

204-865 Teflon Fluid Hose

Max. working pressure: 1000 psi (7.0 MPa, 70 bar)

1/2 in. ID x 6 ft. (13 mm ID x 1.8 m)

Fluid Filter

Maximum working pressure: 300 psi (2.0 MPa, 20 bar)

Inlet and outlet: 3/4 npt(f)

213-057 30 mesh

213-058 60 mesh

213-059 100 mesh

204-858 Pump Clamp

Corrosion resistant for open drums

Standard 2:1 Pumps Only:

Fluid Pressure Regulator

Max. working pressure: 250 psi (1.7 MPa, 17 bar)

Inlet: 3/8 npsm(f). Outlets: 3/8 npsm(m) and 3/8 npt(f)

203-831 Carbon steel. Regulated pressure range: 0-60 psi (0-0.4 MPa, 0-4 bar). Maximum flow rate: 2 gpm (7.6 lpm).

209-030 Stainless steel. Regulated pressure range: 5-100 psi (0.04-0.7 MPa, 0.4-7 bar). Maximum flow rate: 3 gpm (11.3 lpm).

202-660 Air Line Filter and Regulator

Max. working pressure: 180 psi (1.3 MPa, 13 bar).

Inlet: 1/2 npt(f), outlet 1/4 npt(m). Flow rate is over 50 scfm (1.4 m³/min). Includes gauge and two outlet valves, 50 micron filter element and 100 mesh inlet strainer.

Optional O-rings for Model 208-177

To replace Teflon® seal 102-596 in pressurized drum applications

156-082 Buna-N

157-277 Thiokol®

224-017 UHMWPE Packing Conversion Kit

Converts models 226-040 and 208-177.

Foam 2:1 Feed Pumps Only:

188-049 Accessory Fluid Piston

Replaces 180-415 standard fluid piston.

188-050 Intake Valve Housing

Replaces 179-941 intake valve housing. 188-050 does not use a relief valve.

Thiokol® is a registered trademark of Thiokol Chemical Corp.